

Achieve Significant Cost Savings in Your Systems Designs

AFT Mercury is powerful analysis software used to intelligently size piping and ducting systems to minimize cost. It offers a dramatic improvement to the traditional design process. Built on the advanced flow analysis and system modeling capabilities of AFT Fathom™, AFT Mercury can simulate your piping system in complete detail. Designed for fluid systems containing water, petroleum and refined products, chemical products, cryogenes, refrigerants, low velocity gases and more, AFT Mercury provides the power of informed decision making to help you achieve your cost goals.



Capabilities

- Intelligently sizes your entire system
- Identifies critical cost saving opportunities
- Evaluates the most cost effective piping and other system component sizes
- Automatically determines the best possible sizes for pipes, ducts, pumps, valves and other components
- Provides a comprehensive approach rarely practical with traditional methods due to the large number of variables and constraints involved
- Compatible with your existing AFT Fathom models

Benefits

- Capital cost savings
- Operating cost savings
- Achieve inherent system flow balance
- Insure performance requirements are met over multiple design cases
- Understand what really drives your design

Typical Applications

- Minimizing the initial cost of your system designs
- Minimizing the life cycle cost of your system designs
- Meeting specific design parameters including minimum pipe weight, volume or surface area

Features

- Advanced optimization engine to automatically determine the best possible pipe and equipment sizes
- Comprehensive system modeling capabilities
- Scenario Manager tracks all design variants and operational possibilities in a single model file with data linkage
- Integrated graphing and reporting
- Conducts thermal analysis including piping heat transfer and heat exchanger modeling
- Supports Newtonian and non-Newtonian fluids
- Built-in library of fluids and fittings can be extended and customized
- Optional Chempak™ add-on utility provides a thermophysical database of almost 700 fluids

How does it work?

AFT Mercury is built on and includes all of the modeling tools and analysis capabilities of AFT Fathom. It uses IntelliFlow®, an advanced optimization engine combined with AFT Fathom's powerful hydraulic solver. AFT Mercury evaluates the complex interaction of variables in your system design, revealing combinations of components that minimize cost.

World class support

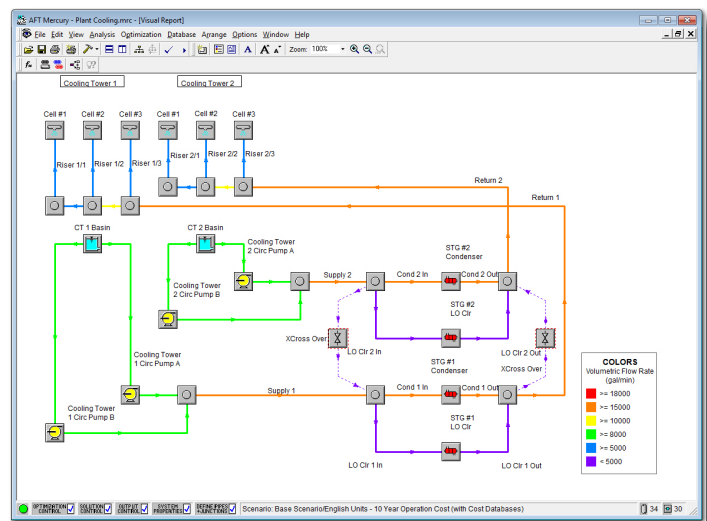
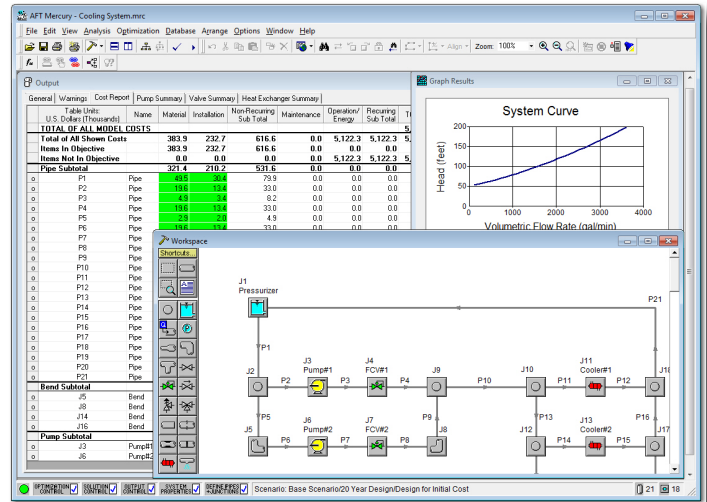
Your software purchase includes a free year of product upgrades and technical support provided by our team of professional engineers. More than software support, we provide the fluid systems knowledge that comes with extensive real world experience.

Get the most out of your AFT Mercury software investment

Training by our professional staff helps you learn about the software's wide range of capabilities and modeling techniques. Our seminars review fundamental theory, basic through advanced techniques and hands-on modeling. Whether you're a new or experienced user, you'll find an AFT Mercury seminar a worthwhile investment of your time.

AFT offers regularly scheduled seminars at our offices in the USA. Seminars can also be held at your facility. Visit www.aft.com/learning-center/seminars for more information.

"AFT Fathom", "AFT Mercury", "Applied Flow Technology", "Dynamic solutions for a fluid world" and the AFT logo are trademarks of Applied Flow Technology Corporation. "Chempak" is a trademark of Madison Technical Software Inc. "IntelliFlow" is a registered trademark of Applied Flow Technology Corporation.



2955 Professional Place, Suite 301
 Colorado Springs, CO 80904 USA
 (719) 686 1000
sales@aft.com
www.aft.com